

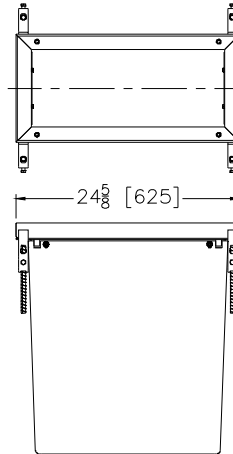
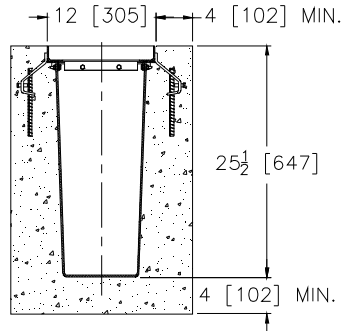


# ZF817-12

## 12 [305] x 24 [610] LONG REVEAL FIBER REINFORCED POLYMER CATCH BASIN

Dimensional Data (inches and [ mm ]) are Subject to Manufacturing Tolerances and Change Without Notice

SPECIFYING ENGINEER IS RESPONSIBLE FOR CONCRETE ENCASEMENT AND REINFORCING BASED UPON APPLICATION AND LOCAL CODES.



NOTE: +Actual Frame length is 24 5/8 [625].

### ENGINEERING SPECIFICATION: Zurn ZF817-12

Catch Basin is 12" [305mm] wide, 24-5/8" [625mm] long reveal and 25-1/2" [647mm] deep. The body is made of 0% water absorbent Fiber Reinforced Polyester (FRP) fiberglass. Catch basin weighs less than 14.6 lbs. [6.6 kg] per linear foot, and is provided with standard DGC grate. Zurn 12" [305mm] wide reveal Ductile Iron Slotted Grate conforming to ASTM specification A536, Grade 80-55-06. Ductile Iron grate is rated class C per the DIN EN1433 top load classifications. Supplied in 24" [608mm] nominal lengths with 13/16" [21mm] wide slots, and 1-1/2" [38mm] bearing depth. Grate has an open area of 80.8 sq. in per ft. [171,027 sq. mm per meter]. The #7 gage thick Heavy-Duty Frame Assembly conforms to ASTM specification A36. Frame shall mechanically lock into concrete surround at a maximum spacing of 23" [584mm] with four rebar attachment brackets as standard to secure the basin in its final location. The frame is supplied with a powder coated finish. All welds must be performed by a certified welder per ASTM standard AWS D1.1. Frame and basin shall be produced in the U.S.A.

### PREFIX OPTIONS (Check/specify appropriate options)

\_\_\_ ZF 12-inch by 24-inch Fiber Reinforced Polymer (FRP)\*

### SUFFIX OPTIONS (Check/specify appropriate options)

#### Outlet Adapters Add/Each

- \_\_\_ -E4 4 [102] No-Hub End Outlet     \_\_\_ -U4 4 [102] No-Hub Bottom Outlet
- \_\_\_ -E6 6 [152] No-Hub End Outlet     \_\_\_ -U6 6 [152] No-Hub Bottom Outlet
- \_\_\_ -E8 8 [204] No-Hub End Outlet     \_\_\_ -U8 8 [204] No-Hub Bottom Outlet

#### Frame Options

- \_\_\_ -CBF Black Acid Resistant Coated Frame
- \_\_\_ -GFA Galvanized Frame
- \_\_\_ -SF Type 304 Stainless Steel Top Frame

#### Grate Options (Load Classifications are per DIN EN1433)

- \_\_\_ -BDC Black Acid Resistant Epoxy Coated Ductile Grate - Class C
- \_\_\_ -BDE Black Acid Resistant Epoxy Coated Ductile Grate - Class E
- \_\_\_ -BG Galvanized Ductile Iron Bar Grate - Class D
- \_\_\_ -DC Ductile Iron Solid Cover - Class C
- \_\_\_ -DGC Ductile Iron Slotted Grate - Class C \*
- \_\_\_ -DGE Ductile Iron Slotted Grate - Class E
- \_\_\_ -DGF Ductile Iron Slotted Grate - Class F
- \_\_\_ -GDC Galvanized Ductile Slotted Grate - Class C
- \_\_\_ -GDE Galvanized Ductile Slotted Grate - Class E
- \_\_\_ -GDF Galvanized Ductile Slotted Grate - Class F
- \_\_\_ -GHPD Galvanized Heel-Proof Ductile Grate - Class C
- \_\_\_ -GHPDE Galvanized Heel-Proof Ductile Slotted Grate - Class E
- \_\_\_ -HPD Heel-Proof Ductile Slotted Grate - Class C
- \_\_\_ -HPDE Heel-Proof Ductile Slotted Grate - Class E
- \_\_\_ -RFGC Reinforced Slotted Galvanized Grate - Class C
- \_\_\_ -RPGC Reinforced Perforated Galvanized Grate - Class C
- \_\_\_ -RPGRC Reinforced Perforated Galvanized Reverse Punch Grate - Class C
- \_\_\_ -RFSC Reinforced Slotted Stainless Steel Grate - Class C
- \_\_\_ -RPSC Reinforced Perforated Stainless Steel Grate - Class C
- \_\_\_ -RPSRC Reinforced Perforated Stainless Steel Reverse Punch Grate - Class C

#### Miscellaneous Options

- \_\_\_ -IA Inlet Adapter - Z806
- \_\_\_ -IA Inlet Adapter - Z812

#### MADE in the U.S.A. (Load Classifications are per DIN EN1433)

- \_\_\_ -ADA-USA Meets Americans with Disabilities Act Requirements - Class C
- \_\_\_ -DGC-USA Ductile Iron Slotted Grate - Class C
- \_\_\_ -DGE-USA Ductile Iron Slotted Grate - Class E
- \_\_\_ -FG Fabricated Galvanized Steel Slotted Grate - Class A
- \_\_\_ -FS Fabricated Stainless Steel Slotted Grate - Class A
- \_\_\_ -GADA-USA Galvanized Ductile ADA Slotted Grate - Class C
- \_\_\_ -GDC-USA Galvanized Ductile Slotted Grate - Class C
- \_\_\_ -GDE-USA Galvanized Ductile Slotted Grate - Class E
- \_\_\_ -GHPDE-USA Galvanized Heel-Proof Ductile Slotted Grate - Class E
- \_\_\_ -HPD-USA Heel-Proof Ductile Slotted Grate - Class C
- \_\_\_ -HPDE-USA Heel-Proof Ductile Slotted Grate - Class E
- \_\_\_ -PG Perforated Galvanized Steel Grate - Class A
- \_\_\_ -PS Perforated Stainless Steel Grate - Class A
- \_\_\_ -SBG-L Stainless Steel Bar Grate - Class C

#### Miscellaneous Options

- \_\_\_ -DB Bottom Dome Strainer
- \_\_\_ -FT Foul Air Trap
- \_\_\_ -VP Vandal-Proof Lockdown
- \_\_\_ -Y Sediment Bucket

Supplied By:



\* Regularly furnished unless otherwise specified.

Zurn Industries, LLC | Specification Drainage Operation  
 1801 Pittsburgh Avenue, Erie, PA U.S.A. 16502 · Ph. 855-663-9876, Fax 814-454-7929  
 In Canada | Zurn Industries Limited  
 3544 Nashua Drive, Mississauga, Ontario L4V 1L2 · Ph. 905-405-8272, Fax 905-405-1292  
[www.zurn.com](http://www.zurn.com)

Rev. G  
 Date: 09/14/2017  
 C.N. No. 137724  
 Prod. | Dwg. No. ZF817-12